



Features :

- Supports 90 - 264 VAC / 127 - 373 VDC
- Efficiencies up to 86 %
- - 40°C to + 70°C Operating Temperature
- Compact size and 1U low profile
- Protection against short circuit, overload & overvoltage
- Cooling by free air convection

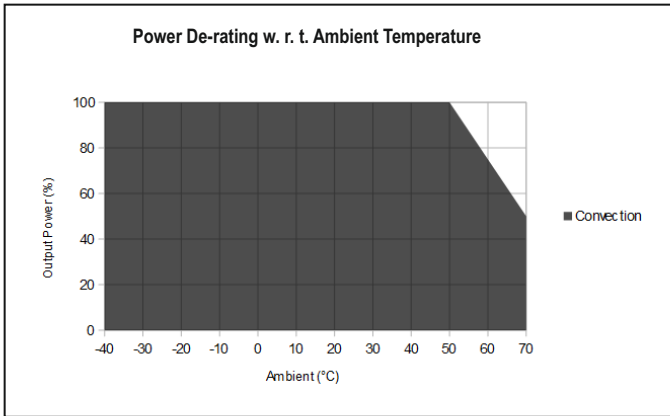
SPECIFICATIONS:

MODEL		TPS50-12	TPS50-24	TPS50-48
OUTPUT	NOMINAL DC VOLTAGE	12 V	24 V	48 V
	RATED CURRENT	4.2 A	2.2 A	1.1 A
	RATED POWER	50.4 W	52.8 W	52.8 W
	RIPPLE & NOISE (max)	< 1 % of Vout	< 1 % of Vout	< 1 % of Vout
	VOLTAGE ADJ. RANGE	12 V to 14 V	24 V to 28 V	48 V to 56 V
	VOLTAGE TOLERANCE		± 1 %	
	LINE REGULATION		± 1 %	
	LOAD REGULATION		± 1 %	
	TURN ON TIME		< 3 sec ; at full load	
	HOLD UP TIME		≥ 60 ms at 230 VAC & ≥ 10 ms at 115 VAC, Full load	
RISE TIME		< 100 ms		
INPUT	VOLTAGE RANGE	90 - 264 VAC / 127 - 373 VDC		
	FREQUENCY RANGE	47 - 63 Hz		
	EFFICIENCY @ 230 VAC	Up to 83 %	Up to 86 %	Up to 86 %
	AC CURRENT	0.9 A @ 115 VAC; 0.50 A @ 230 VAC		
	INRUSH CURRENT	< 45 Amps; Measured at 230 VAC, 25°C Ambient, Cold start		
	LEAKAGE CURRENT	< 1 mA; 240 VAC input		
	NO LOAD POWER CONSUMPTION	< 0.5 W; 115 VAC input		
PROTECTION	OVERLOAD	> 110 % of rated output current; Hiccup mode; Autorecovery type.		
	OVERVOLTAGE	17 VDC ± 1 VDC	31.5 VDC ± 1 VDC	61 VDC ± 2 VDC
	OUTPUT SHORT CIRCUIT	Hiccup mode when output is shorted; Autorecovery type.		
ENVIRONMENT	OPERATING TEMP	- 40°C to + 70°C; De-rate linearly above 50°C from 100 % load at 50°C to 50 % load at 70°C, - 40°C to 0°C startup is guaranteed with spec deviation (Output ripple can be more than 10 % of the output voltage.)		
	STORAGE TEMP	- 40°C to + 85°C		
	COOLING	Natural convection		
	HUMIDITY	5 to 95 % RH, Non condensing		
	ALTITUDE	2000 m		
	VIBRATION	Component: 10 ~ 500 Hz, 2 G 10 min. / 1 cycle, period for 60 min. each along X, Y, Z axes		
SAFETY & EMC	DIELECTRIC WITH STAND VOLTAGE	I/P to Earth : 2500 VAC I/P to O/P : 4000 VAC O/P to Earth : 1500 VAC		
MECHANICAL	DIMENSION	99 x 82 x 30 mm (L x W x H)		
	WEIGHT	< 230 gms		
	MOUNTING	Table Top		

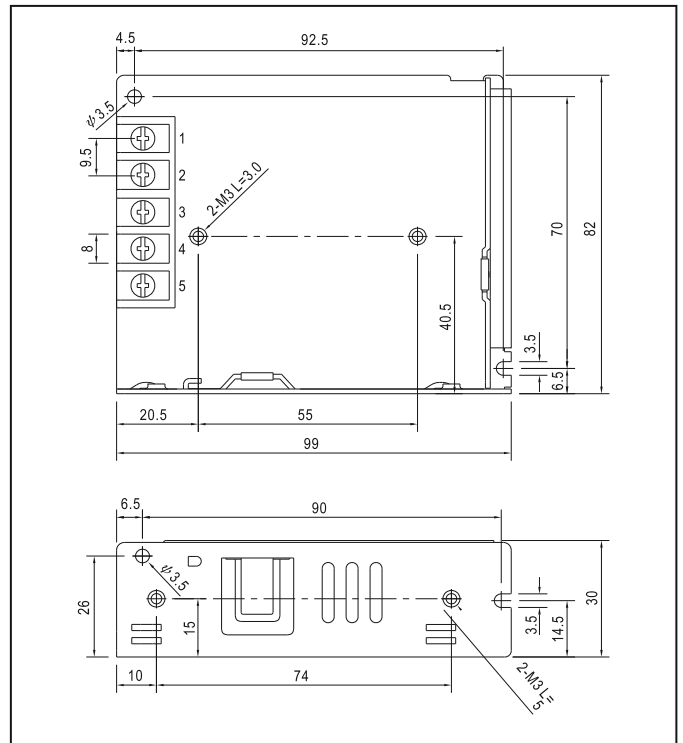
Connectors details

Ref Des	Description	Type	Pin number	Function
TRL1	Input AC / DC connector	GOOSVN:GSA45S -9.5-5P-1Y-00A(H)	1	AC / L
	Earth		2	AC / N
	Output DC connector		3	Earth
			4	V1 Negative
			5	V1 Positive

De-rating curve



Mechanical dimensions



Ordering information

Product Code	Description	Certification
TPS50-12	50 W, 12 V / 4.2 A Table Top Power Supply in metal body.	NA
TPS50-24	50 W, 24 V / 2.2 A Table Top Power Supply in metal body.	NA
TPS50-48	50 W, 48 V / 1.1 A Table Top Power Supply in metal body.	NA